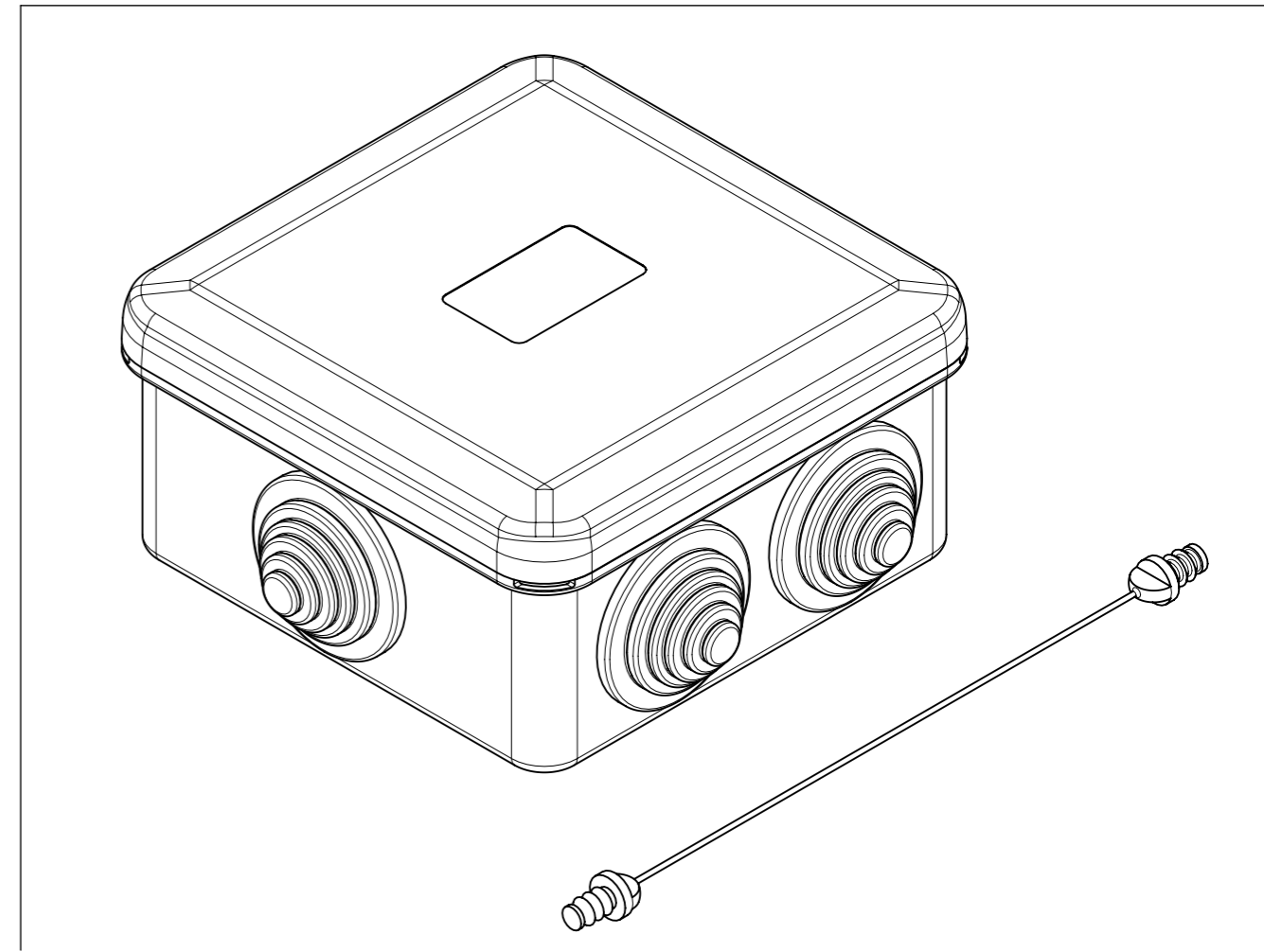
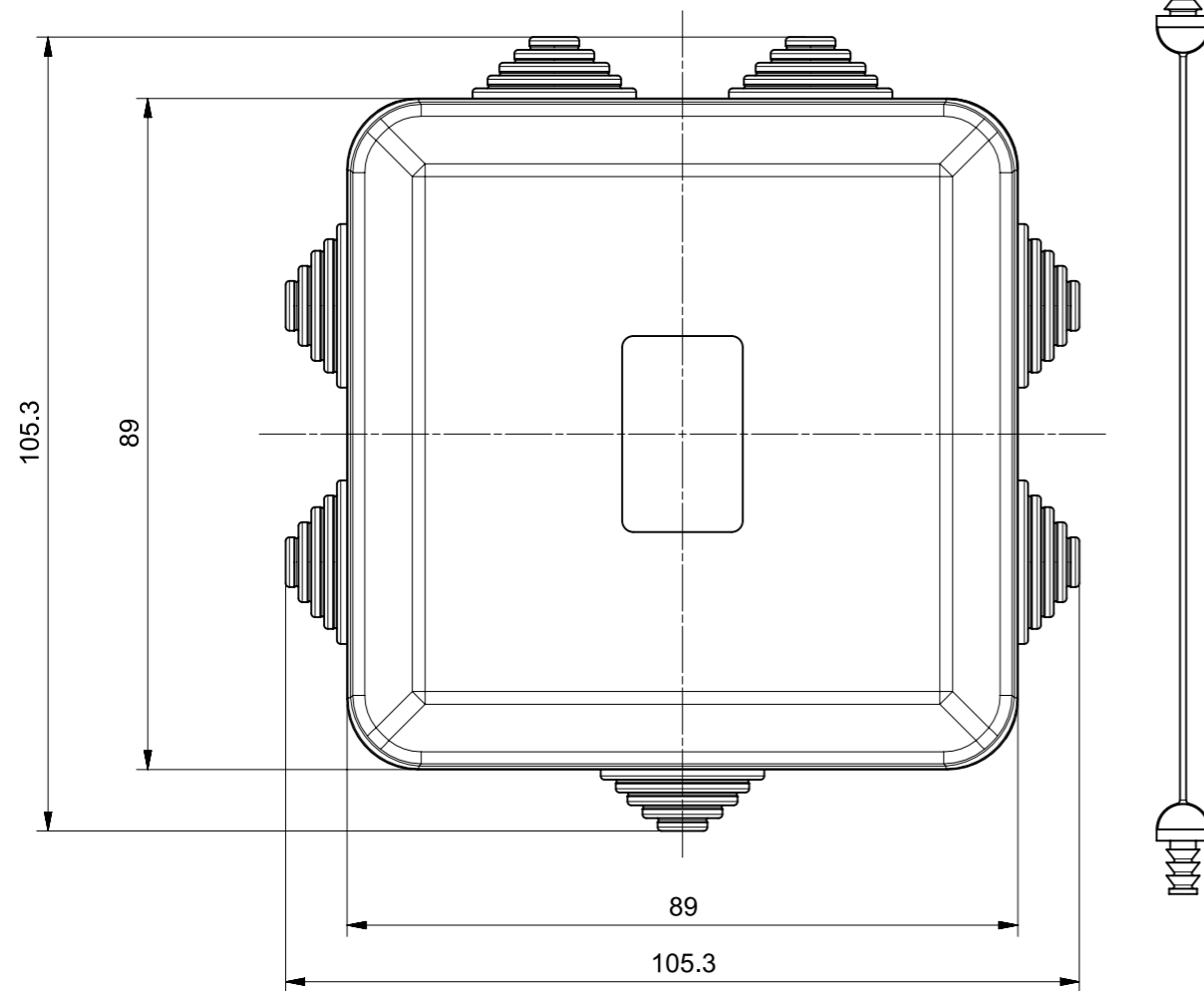




LEGACCIO DI COLLEGAMENTO
BASE - COPERCHIO IN DOTAZIONE



<p>At the end of the law, we reserve the ownership of this design may not be copied and transfer it to third parties or competitors</p>	Format	A3	Scale	1:1	Mould N°		Drawn	SCAME	
	Tolerances for linear and angular dimensions without indication of specific tolerances: JS13 / UNI 286-1:2010						 	Date	
<p>SCAME S.p.A. PARRE - (Bergamo)</p>	DESCRIPTION							Approved	
	<p>SCATOLA DERIVAZIONE 80x80 CON PASSACAVI IP55</p>							CODICE	Sheet 1 / 1
								4003401	