

204.WB11E-T2

Plastic wall mounting box with
1 socket Type 2 shutter 1P+N+T 16A 230Vac 3,5kW

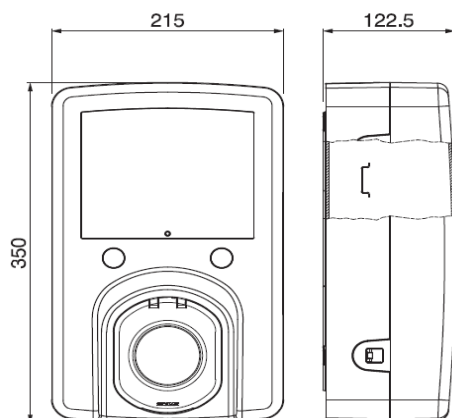
**TYPE 2
WITH SHUTTER**



> FUNCTIONS

- charge in mode 3 with pwm circuit pilot
- identification of connected cord-set size
- managing of latching system
- working in mode stand-alone free

> DIMENSIONS



> REFERENCE STANDARD

EN 61851-1 (2011)

Electric vehicle conductive charging system.
Part 1: General requirement.

EN 61439-1 (2011)

Low-voltage switchgear and control gear assemblies.
Part 1: General requirement.

> TECHNICAL CHARACTERISTICS

Rated current:	16A
Rated voltage:	230Vac
Frequency:	50-60Hz
Insulating voltage:	250V
Protection degree:	IP54
Operating temperature:	-25°C +40°C
Material:	Engineering plastic
Glow wire test:	650°C
IK degree at 20°C:	IK08
Color:	Grey
Mounting:	Wall
Salt mist:	Resistant
UV radiation:	Resistant

> EQUIPMENTS

- 1 terminal strip 3x6mm²
 - 1 contactor 2P 20A 24Vdc
 - 1 fuse holder 1P+N gG 4A
 - 1 power supply 24Vdc 36W
 - 1 control card
 - 1 couple of service led
 - 1 stop charge push-button (mode free)
- Excluded:
- upstream protection: 1 breaker 2P D20 30mA ist. A
 - emergency line 24Vdc (optional)