

SCABOX Series

Junction boxes for electric installations

No. REFERENCE SERIES

680
685
686



VERSIONS



With cable sleeves
IP44
With press-fit cover



With blank sides
IP56
With screw-down cover



With cable sleeves
IP55
With screw-down cover



With blank sides
IP56
Higher box with screw-down cover

REFERENCE STANDARDS

Standards: **IEC 60670**

MARKING

Marking: **CE Marking**

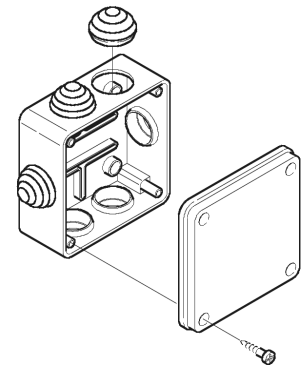


QUALITY MARKS



TECHNICAL CHARACTERISTICS

Protection degree: **IP44–IP55–IP56**
 Operating temperature according to the reference standard: **-25°C+35°C**
 Max. operating temperature: **60°C**
 Glow Wire test: **650°C**
 Material: **Engineering plastic**
 IK degree at 20°C: **IK04/IK08**
 Total insulation : **YES**
 Halogen free: **YES (blank sides versions)**
 DIN rail fixing: **YES**
 Colore: **Grey RAL 7035**



Surface mounting junction box 100x100 mm
50mm high box with IP55 cable sleeves
Screw-closed cover.

BEHAVIOUR WITH CHEMICAL AND ATMOSPHERIC AGENTS

Saline solution	Acids		Bases		Solvents				Mineral oil	UV rays
	Concentrated	Diluted	Concentrated	Diluted	Hexane	Benzol	Acetone	Alcohol		
RESISTANT	LIMITED RESISTANCE	RESISTANT	LIMITED RESISTANCE	RESISTANT	NOT RESISTANT	NOT RESISTANT	NOT RESISTANT	LIMITED RESISTANCE	LIMITED RESISTANCE	RESISTANT